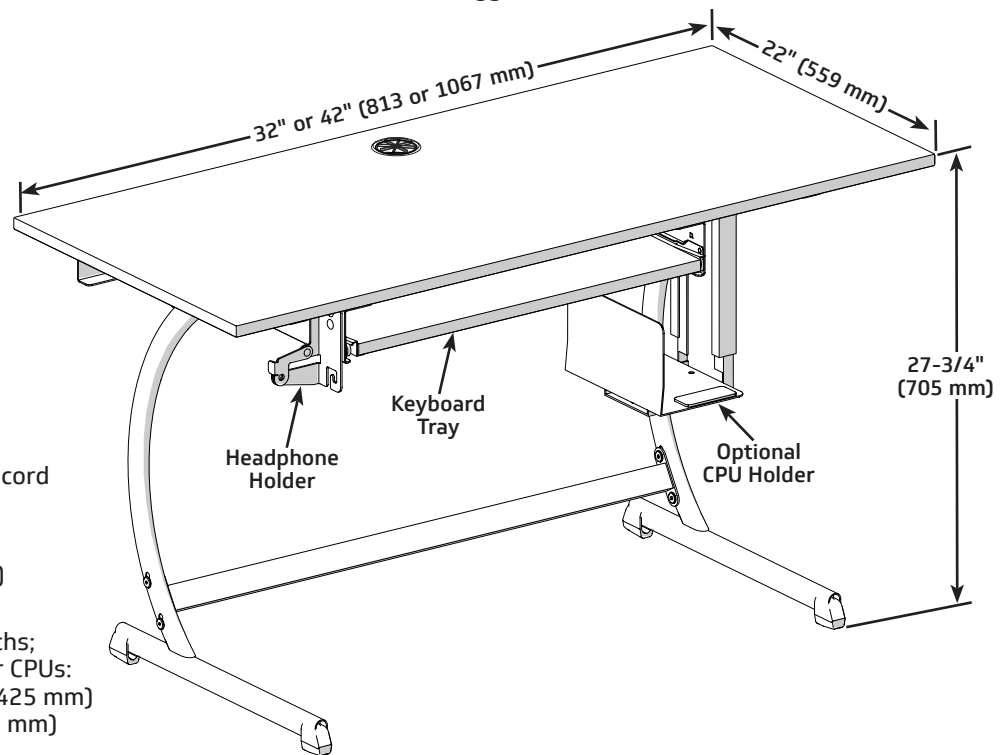


# Essential Lab Workstation

- 256A001.\_\_\_\_
- Desk standard sizes 32" or 42" (813 or 1067 mm), available in custom sizes up to 49"w (1245 mm)  
42" desk size weighs 60 lb (27 kg) with no added accessories, weight will vary depending on desk width and added accessories
- Overall dimensions:
  - Desktop is 22"d (559 mm)
  - Height to top of desk is 27-3/4" (705 mm) standard, 28-3/4" (731 mm) with spacers
  - Height to keyboard tray is 25" (635 mm) standard, 26" (661 mm) with spacers
- Lower pull out tray for computer keyboard, mounted on precision drawer glides; keyboard space allowance: 24"w x 15-3/4"d x 2"h (610 x 400 x 51 mm)
- Desk is constructed of 3/4" (19 mm) thick industrial grade composite wood with no added formaldehyde and polyester laminate finish in Wenger standard colors
- All metal parts finished with black powder-coated paint finish
- Edging is 1/8" (3 mm) radiused PVC
- Desk reinforced with 14-gauge steel profile with space to mount optional powerstrip on right or left and holds cords in place with included clips
- Grommet on desk surface included for access to cord management in back
- Frame is constructed of welded 16-gauge tubular steel with internal steel counterweights for added stability and strength
- Frame includes non-marking leg glides
- Includes headphone holder with ability to lock in place with padlock; accommodates padlock with a 5/16" (8 mm) diameter shackle and up to 3/4" (19 mm) tall; padlock is not included
- Headphone can be mounted on right or left side of keyboard pullout; accommodates maximum headband size of 2" (51 mm) wide x 1/2" (13 mm) thick
- UL GREENGUARD certified - product certified for low chemical emissions: [ul.com/gg](http://ul.com/gg) - UL 2818
- Shipped ready to assemble
- Ten-year warranty



## Accessories

### Acrylic Music Holder

- 222A151 2.5 lb (1 kg)
- 20"w x 11-1/2"h (508 x 292 mm)

### Power Strip

- 256A013 5 lb (2 kg)
- 6 outlets, 15A, 120VAC, UL listed, 10' cord

### Steel Spacer Tubes

- 256A111
- Increase height of desk by 1" (25 mm)

### CPU Holder

- Adjusts for different heights and widths; Minimum and maximum dimensions for CPUs:
  - Height 13-1/2" to 16-3/4" (343 to 425 mm)
  - Width 5-1/2" to 7-3/4" (140 to 197 mm)
  - Maximum depth: 18" (457 mm)
- Mounts on right side of desk, rated weight - 55 lb (25 kg)
- CPU holder must be ordered at time of desk purchase

